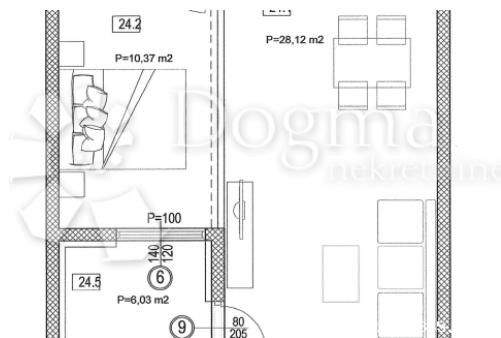


## NOVOGRADNJA SEGET DONJI 51,19m<sup>2</sup>, Seget, Flat



### Seller Info

Name: Dogma Nekretnine  
First Name: Dogma  
Last Name: Nekretnine  
Company Name: Dogma nekretnine d.o.o.  
Service Type: Selling and renting  
Website: <https://dogma-nekretnine.com>  
Country: Croatia  
Region: Primorsko-goranska županija  
City: Rijeka  
ZIP code: 51000  
Address: F.LA GUARDIA 6  
Phone: +385 51 341 080  
Fax: +385 51 341 081  
About us: DOGMA nekretnine d.o.o. is an experienced and licensed agency specializing in real estate. We have been present in this business for more than 20 years - from a small agency with only two employees through many years of work and effort, we have grown into a company with over 80 employees. In that period, with our work and attitude towards clients and business, we became the leading agency in the Primorje-Gorski Kotar County and the leading in Croatia. The Agency currently operates at the following locations: headquarters in Rijeka, F. la Guardia.6, branch office within the Tower Center Rijeka, J.P.Kamova 81a (4th floor), branch office in Opatija, Maršala Tita 97, branch office in Labin, Ulica Slobode 3; branch office in Umag, Joakima Rakovca 4, branch office in Pula, Anticova 5 and in Zagreb,

Ulica grada Vukovara 284  
(Almeria building D). Our  
teams are at your disposal in all  
locations!

## Listing details

### Common

Title:	NOVOGRADNJA SEGET DONJI 51,19m2
Property for:	Sale
Property area:	51 m <sup>2</sup>
Floor:	4
Bedrooms:	2
Bathrooms:	1
Price:	1.00 €
Updated:	Oct 29, 2024

### Condition

Newbuild:	yes
Built:	2024



### Location

Country:	Croatia
State/Region/Province:	Splitsko-dalmatinska županija
City:	Seget
City area:	Seget Donji
ZIP code:	21220

### Permits

Building permit:	yes
Ownership certificate:	yes

### Description

Description:	ID CODE: ST2495
--------------	-----------------

### Additional contact info

Reference Number:	669402
Agency ref id:	ST2495